

November 2022 CL & LoAR

A Quick Summary of Changes

Jeanne Marie *Palimpsest*

Admin Handbook Updates

- Appendix H
 - Added *Diplomatarium Islandicum*
 - Added articles by Gunnvör silfrahárr

<http://heraldry.sca.org/admin.html#APPENDIXH>

SENA Updates

- NPN4D1, Non-SCA Entities Protected from Presumption, is updated to explicitly note that names of indigenous tribes and other groups of people are included among the entities protected from presumption.
- NPN4D1 and PN4D1, Non-SCA People Protected from Presumption, were both updated allow entities appearing in non-English encyclopedia to be considered for protection. Additionally, the restriction to **print** encyclopedias was removed; electronic encyclopedias may be used when determining whether or not a person or entity is important enough to protect.

The revised versions of these sections will be available at <http://heraldry.sca.org/sena.html> about a week after the April 2023 Board of Directors meeting.

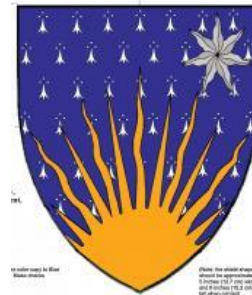
SENA Updates

- A2B2 Constructed Elements, section b is updated to allow the use of fantastical plants and animals known before 1600 to be used without a step from core practice.
- A2B4 Elements which are a Step from Core Practice, section a is updated to remove the step from core practice for the use of fantastical plants and animals known before 1600. Additionally, the section was modified to make it clear that undocumented plants and animals which likely to have been known to people of **any culture** prior to 1600 are registerable with a step from core practice.

The revised versions of these sections will be available at <http://heraldry.sca.org/sena.html> about a week after the April 2023 Board of Directors meeting.

SENA Appendix Updates

- Appendix J, Documented and Forbidden Arrangements of Charge Groups on Armory, is updated to clarify that unallowed designs with charges only "in sinister chief and in central base" and variants (like "in chief and dexter base") applies only to charges in a single group.
 - What this means: Armory with a primary charge in central base and a secondary charge in sinister chief is registerable.



<http://heraldry.sca.org/sena.html#AppendixJ>

From Wreath: Standard Augmentations

- Wreath noted that the use of standard augmentation is not limited to the populace the kingdom that registered the augmentation. A standard augmentation is essentially a blanket permission to conflict for anyone that is entitled to an augmentation.
- What this means:
 - Someone in the East who is entitled to an augmentation could register *<blazon>, for augmentation on a canton azure, four crescents conjoined in saltire, horns outward, argent* without additional permission from the Crown of Caid since *Azure, a cross of Caid argent* is one of Caid's standard augmentation. The named motif *cross of Caid* is *four crescents conjoined in saltire, horns outward*. The expanded blazon can be substituted for the named motif or the named motif may be used if the submitter requests it.
 - Someone in Caid who is entitled to an augmentation could register *<blazon>, for augmentation on a canton azure a unicornate natural seahorse Or* without additional permission from the Crown of Atlantia since *(Fieldless) A unicornate natural seahorse Or* is one of Atlantia's standard augmentations.

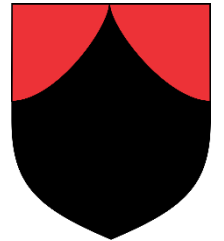
From the LoAR: Names

- In registering Hemaka of Artemisia precedent limiting names to the 7th century BCE and later was overturned. Earlier names are now registerable based on the revisions to the Society's Governing Documents and SENA GP3. [Sneferu ex Artemisias, 11/2022, A-Artemisia]

From the LoAR: Armory

- There is an SC between a plain field and the vêtu ployé field division. [Cristina Lionesti, 11/2022, A-Ansteorra]
- There is an SC between a barry field and the vêtu ployé field division. [Delphina de Champeaux, 11/2022, A-Ansteorra]
- There is an SC between a plain field and a field divided chapé ployé. [Santiago Rodrigo Draco de Aranjuez, 11/2022, A-Ansteorra]
- Precedent disallowing low-contrast chapé ployé fields was overturned. For contrast purposes chapé ployé fields are treated the same as *per chevron* fields. [Santiago Rodrigo Draco de Aranjuez, 11/2022, A-Ansteorra]

- What this means: Fields such as *Sable, chapé ployé gules* are now registerable.
- A *holly branch proper* has a brown branch, vert leaves, and gules berries.



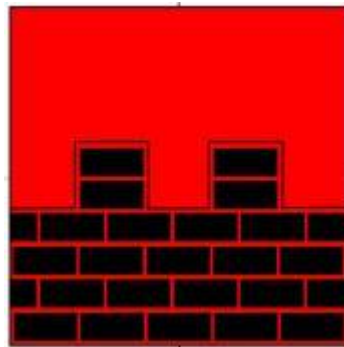
This has been added to Table 4 of the Glossary of Terms. [Katherine von Landshut, 11/2022, A-Atlantia]

From the LoAR: Armory

- There is a step from core practice for the use of a *winged lion-dragon displayed*. [Merlyn Mechtildis Nahtegale, 11/2022, A-Calontir]
- Based on period examples, poor contrast masoning is not allowed unless it is sable. [Alaric Styrr, 11/2022, R-Ansteorra]
- A field with a field treatment (such as *masoned* or *scaly*) is not the same as plain tincture and thus may contribute to the appearance of marshalling. [Eirik of the Two Ravens, 11/2022, R- Avacal]



A *winged lion-dragon displayed*



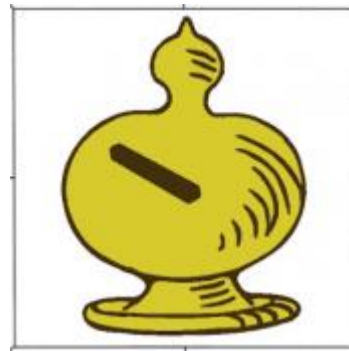
Returned for poor contrast masoning - *Per fess embattled gules and sable masoned gules*

From the LoAR: New Charges

- A money-box is a period heraldic charge found in found in the *Confréries de la Cour amoureuse et de l'ÉpINETTE; Traité de blason*, 16th C French (Paris, BF, ms. Français 10469); folio 100 (<https://gallica.bnf.fr/ark:/12148/btv1b84701737/f94.item>). [Tobias of Emerickeskepe and Jessimond of Emerickeskepe, 11/2022, A-Ansteorra]



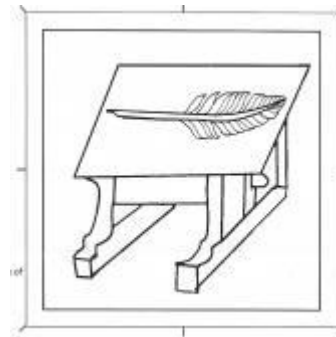
Period.



Registered.

From the LoAR: New Charges

- A *writing table* or *writing slope* is a period heraldic charge found in Wappenstammbuch - Cod. Karlsruhe 2821 from the 16th C (<https://digital.blb-karlsruhe.de/blbhs/content/pageview/4185445>). The same arms are also seen in Sammlung von Wappen aus verschiedenen, besonders deutschen Ländern - BSB Cod.icon. 307, dating about 1600 (<https://daten.digital-sammlungen.de/~db/0002/bsb00020245/images/index.html?id=00020245&nativeno=591>). [Ragnar Leifsson, 11/2022, A-Atlantia]



Period examples.

Registered.

From the LoAR: New Charges

- A *pile of sand* is a period heraldic charge found in the canting arms of Sandtner, 1589 Austrian (Austrian State Archives, Reference Code: AT-OeStA/AVA Adel RAA 360.28, <https://www.archivinformationssystem.at/detail.aspx?ID=3110472>). Wreath declined to consider whether or not there is a DC between a *pile of sand* and a *mount couped*. [East, Kingdom of, 11/2022, A-East]
- A *carrot flower* is a plant documented in Rembert Dodoens's *Crujdeboeck*, published in 1554 (<https://www.leesmaar.nl/crujdeboeck/deel5/capitel036.htm>). [Sara Ida Allamand, 11/2022, A-East]



Period *pile of sand*.



Registered *pile of sand*.



Period *carrot flower*.



Registered *carrot flower*.

From the LoAR: Blanket Permission To Conflict

- The East submitted two blanket permissions to conflict with order badges with the restriction that the permission to conflict only applied to members of the order who wished to use the badge as an augmentation. The blanket permissions to conflict were returned with the note:
 - The request to establish a restricted blanket permission to conflict is declined. In a similar matter in February 2008, various baronies of the Kingdom of Caid requested a blanket permissions to conflict restricted to a group of individuals based on geographic location. We declined, stating that "This blanket permission to conflict is rejected as it places geographic restrictions on the permission to conflict: the permission to conflict applied only to other Caidan baronies. Laurel has consistently declined such restrictions. Likewise, the restriction to a specific group of submitters (baronies) is grounds for rejection [of] the blanket permission to conflict."
- What this means: Any submitter wishing to register an augmentation using the badge of one of these orders may do so but they may require individual permission to conflict from the kingdom if the augmentation needs to be checked for conflict under SENA A3A3.

Webbed Updates

- Admin Handbook Appendix H has been updated.
- Glossary of Terms, Table 4 has been updated.
- SENA Appendix A, Appendix C, and Appendix J have been updated.
- SENA A2B2b, A2B4a, NPN4D1, and PN4D1 will be updated after the April 2023 Board of Directors meeting.